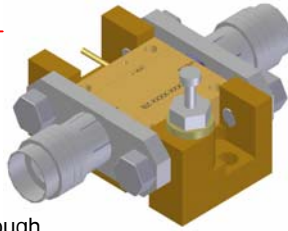


Features

- **Noise Figure ≤ 1.8 dB Measured**
- Unconditionally Stable at all temperatures
- Internally Regulated DC Voltage
- 50 Ohm Matched Input/Output
- Field Replaceable SMA connectors
- Excellent Group Delay and Phase Linearity
- 0.009 inches diameter RF In/Out feed through
- 3 Year Warranty

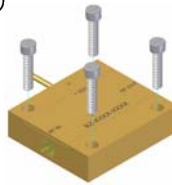


Specifications (23 °C)

| Parameter | Min | Typ | Max | |
|-----------------------|-----|-----|----------|-----|
| Frequency Range | 0.5 | - | 6 | GHz |
| Noise Figure * | | | 1.8 | dB |
| Gain | 11 | 12 | - | dB |
| Gain Flatness | - | | $\pm .6$ | dB |
| P1dB Output Power | 13 | 14 | - | dBm |
| Input VSWR | - | | 2.0:1 | |
| Output VSWR | - | | 2.5:1 | |
| Operating Temperature | -55 | - | +85 | °C |
| Voltage | +12 | - | +15 | V |
| Current | - | 145 | 150 | mA |

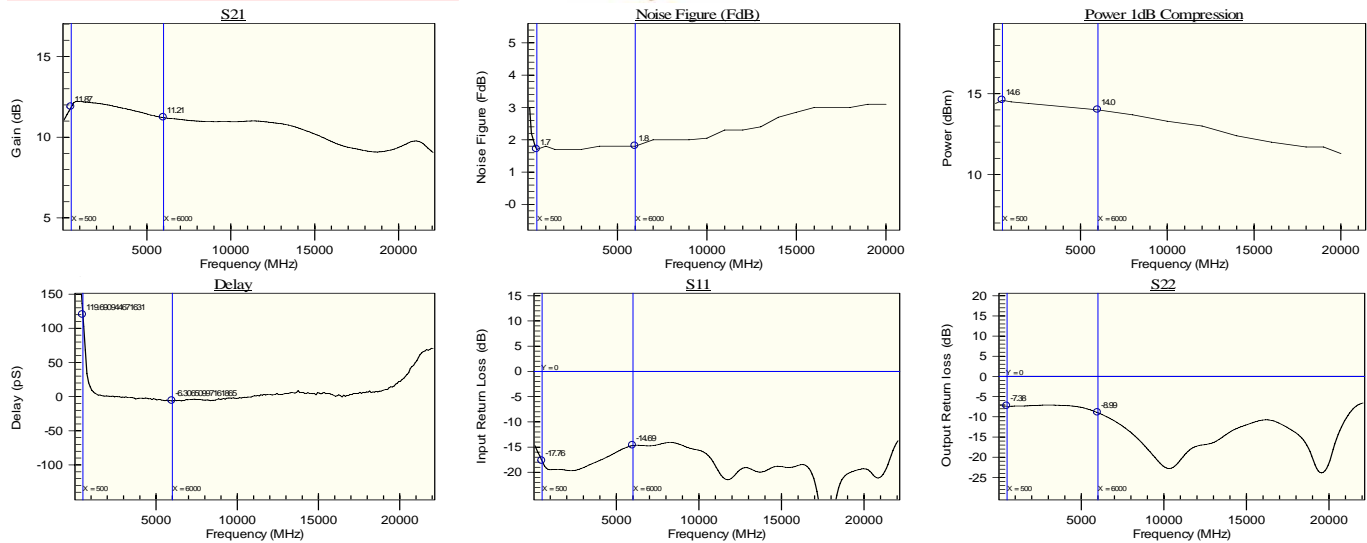
Options

- **Optimized Performance over Selected Bandwidth**
- Internally DC Block Input (Output DC Block Standard)
- Hermetically Sealed Package
- Gain and Phase matching
- Extended bandwidth to 100 MHz.

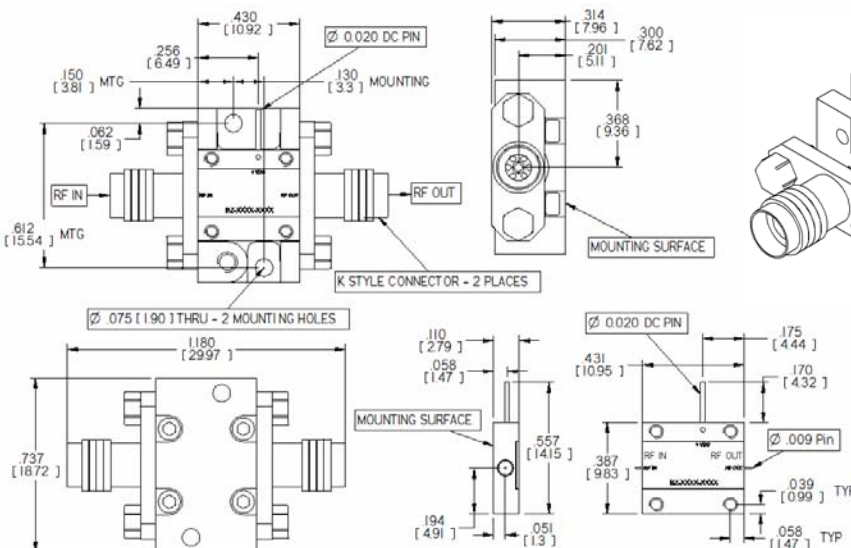


* Noise Source used for measurement: 0.1 – 6 GHz: HP346A, Uncertainty of N.F. (approx. 0.15 dB) .10 db due to ENR of noise source, .05 db due to Gain modulation of the amplifier. Noise Figures increase below 500 MHz

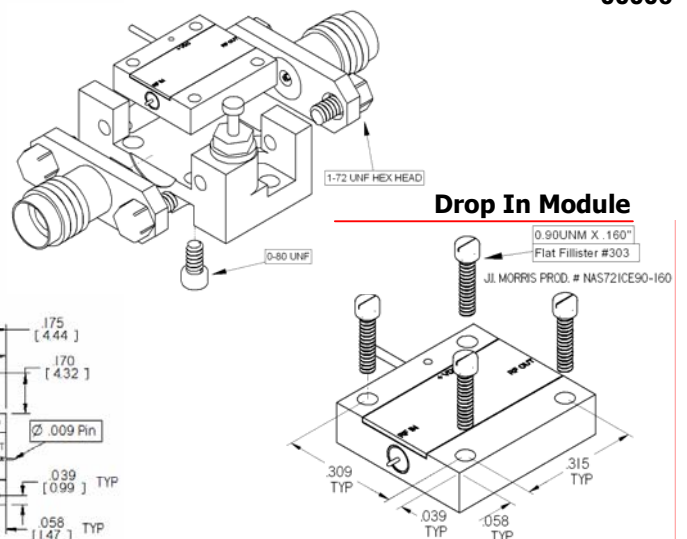
Performance Graphs



Outline Drawing



Mounting Drawing



00006